

Nordic L6 SW

ART.NO. 800150

Flexit Nordic L6 SW with patented rotating heat exchanger technology offers the most energy-efficient ventilation unit on the market, with up to 95% thermal efficiency. Low energy consumption and local demand control provide an A+ eco-design rating.

Designed for small homes and commercial buildings in Nordic climates, it handles up to 165 l/s, making it ideal for residences up to 400 m².

The unit is floor-mounted with adjustable damping feet, doors on both sides, and a control panel on top for easy maintenance. The doors, fans, and rotor can be easily removed, with a net weight of 30 kg and a depth of 465 mm for simple attic transport.

Controlled via Flexit GO, with built-in humidity sensor and cooling recovery control as standard.



Product description

- Compact design for standard attic hatch
- Right/left configuration, doors on both sides
- Easy disassembly for reduced weight
- The most energy-efficient rotating heat exchanger on the market.
- Very low noise level to duct and surroundings

Automatic control

The Flexit GO app



Google Play



App Store



A NordicPanel control panel can be ordered as an accessory.

	GTIN	Modell
800150	7023678001509	Nordic L6 SW RE

Technical data

		with electrical heating coil
POWER	Rated voltage (AC 50 Hz)	230 V
	Frequency	50 Hz
	Fuse size	10 A
	Rated current	8,1 A
	Rated power, total	1855 W
	Rated power, max. electrical heating coil	1500 W
	Rated power, fans	2 x 170 W
	Rated power, rotating heat exchanger motor	4 W
	IP class	21

VENTILASJON	Fan type	B-wheel
	Fan motor control	0-10 V
	Max. fan speed RPM	4 350
	Automatic control, standard	Flexit GO
	Filter class, supply air	ePM1 55 % (F7)
	Filter class, extract air	ePM1 55 % (F7)
	Filter type (supply air/extract air)	Compact filter

DIMENSIONS	Filter dimensions (WxHxD)	460 x 218 x 96 mm
	Weight, ventilation unit	67 kg
	Weight, rotating heat exchanger	15 kg
	Weight, door	2 x 9 kg
	Weight, fan	1,6 kg
	Duct connection	Ø 200 mm
	Height	620 mm
	Width	1095 mm
	Depth	565 mm
	Depth without doors	465 mm

Energy class:



CTRL 0.65

LOCAL DEMAND CONTROL

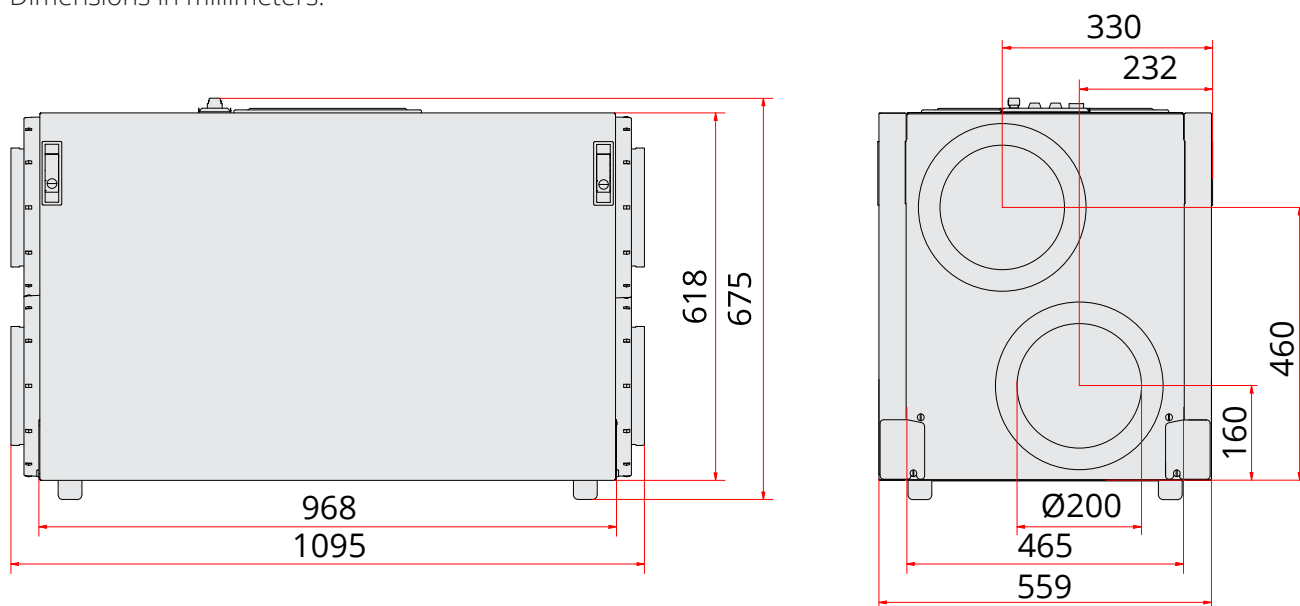
Sensor control for different zones

Accessories: App + CO₂ sensor/
motion sensor + damper

Result: Increased air flow rate in
zones that need it

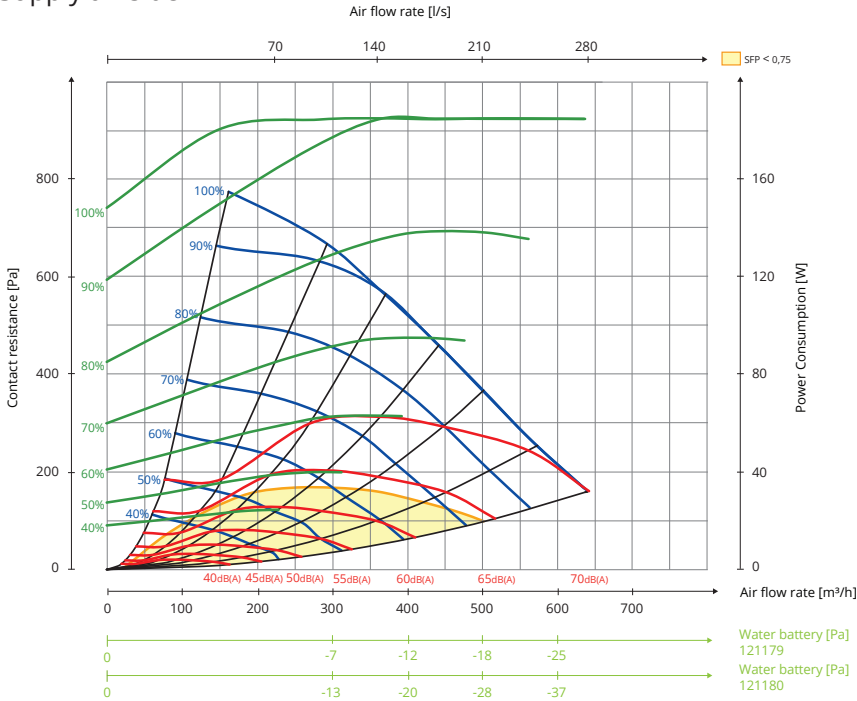
Dimensioned drawings

Dimensions in millimeters.

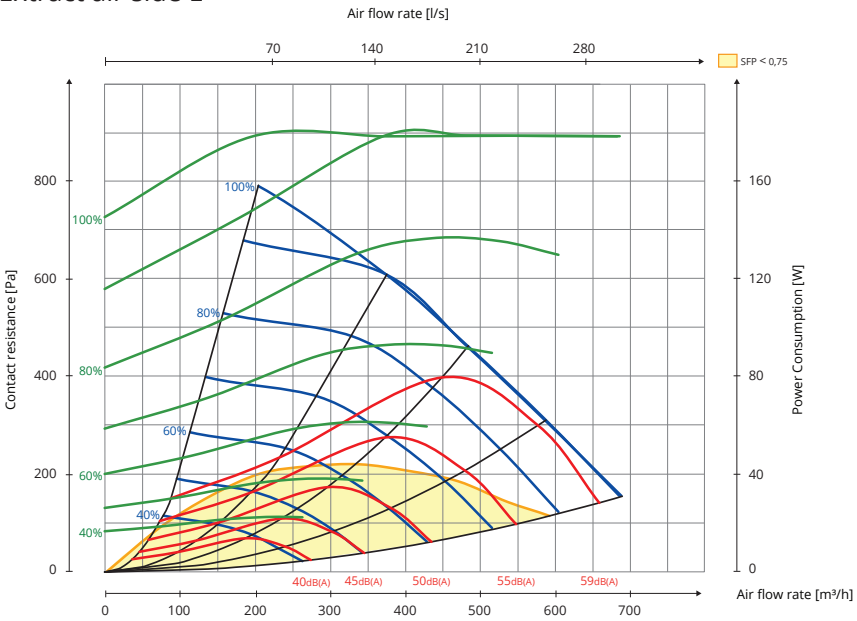


Capacity diagram

Supply air side L



Extract air side L



Hz	63 Lw(dB)	125 Lw(dB)	250 Lw(dB)	500 Lw(dB)	1000 Lw(dB)	2000 Lw(dB)	4000 Lw(dB)	8000 Lw(dB)	LwA (dBA)
Supply air	9	6	4	-1	-8	-11	-18	-26	
Extract air	14	11	9	-4	-11	-16	-24	-27	
Radiated	-13	-15	-25	-24	-32	-36	-38	-46	-23

Explanation of diagram:

Sound data is specified as sound power level LwA in the capacity diagrams. (This is sound to duct.)

These values can be corrected by means of the table for the different octave bands in order to look at Lw (without adaptation to A band).

The correction table for the various octaves is stated in Lw, which means that the Lw values are after conversion of each octave for supply air and extract air.

Radiated sound from the unit must be calculated from the supply air diagram.

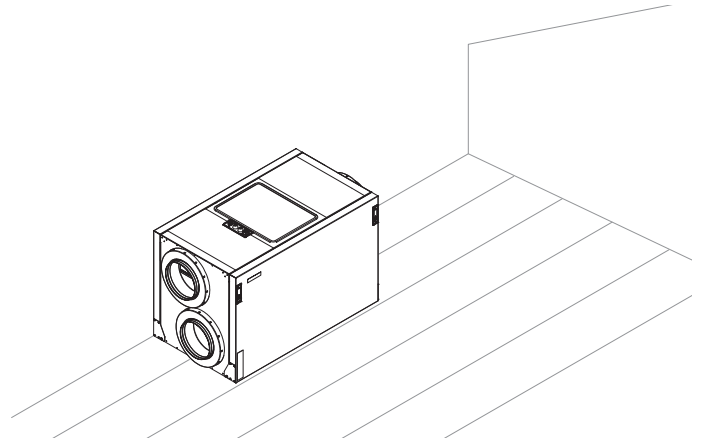
Position

The unit is installed as follows

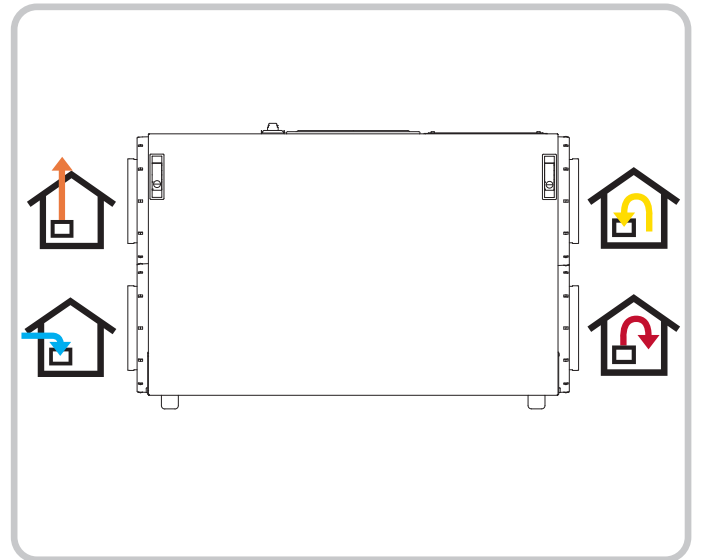
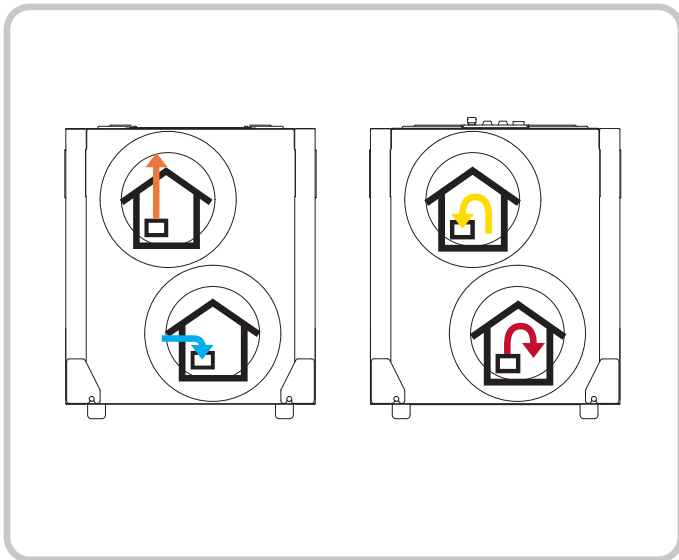
Standing on the floor. It must not be installed lying on the door. The included damping feet must be used. To lock the position of the unit, the included locking brackets can be used.

The unit is designed with two doors and can therefore be reversed and installed according to the configuration of the duct system.

The unit can be placed in a cold zone, such as in an attic.



Nipple location



For more information on topics including installation, wiring diagrams and accessories, see www.flexit.com



Flexit participates in the ECP programme for RAHU.
Check ongoing validity of certificate:
www.eurovent-certification.com

The product is listed in the database for building products that can be used in **Nordic Swan Ecolabelled buildings**.